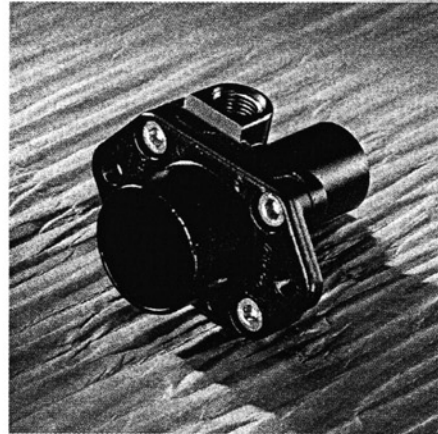
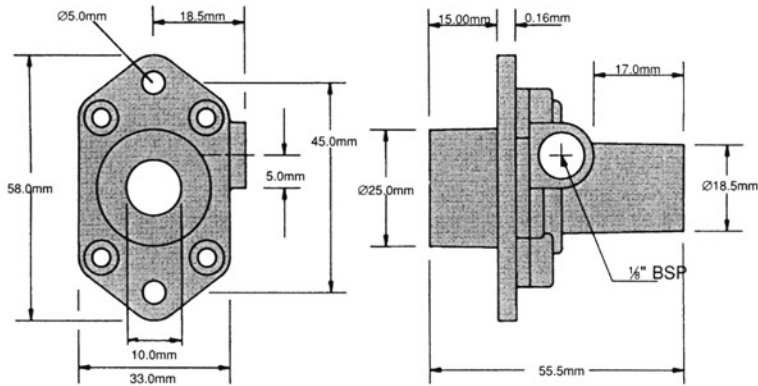


FIXED GAP AIRMOVER MODEL - AM10

BRAUER



Material: Zinc alloy.

Weight: 0.100 Kg

Standard Gap: 0.05mm

DBA at: 5.5 bar is 72

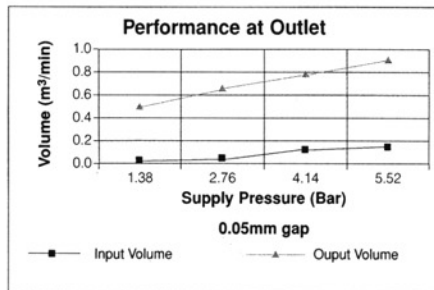
Shims: 0.04, 0.05, 0.08mm

Optional Extra

Standard Inlet Thread: 1/8" BSP

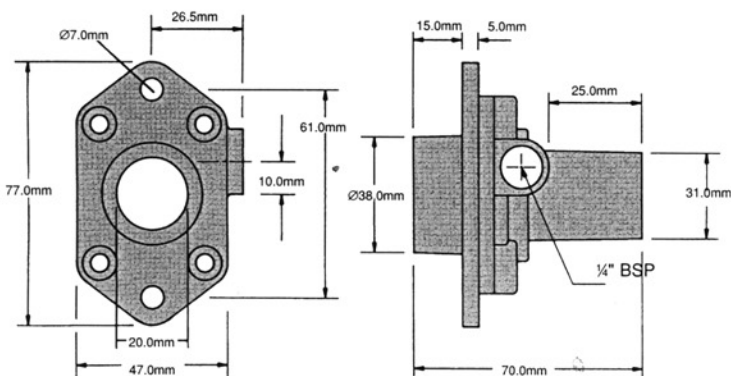
Options: 1/8" NPT

Please specify on order 1/8" NPTF



Bar	Vol in m³/min	Vol out m³/min
1.38	0.048	0.490
2.76	0.065	0.600
4.14	0.125	0.733
5.52	0.164	0.886

FIXED GAP AIRMOVER MODEL - AM20



Material: Zinc alloy.

Weight: 0.250 Kg

Standard Gap: 0.05mm

DBA at: 5.5 bar is 79

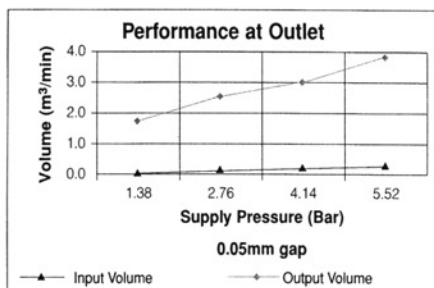
Shims: 0.04, 0.05, 0.08mm

Optional Extra

Standard Inlet Thread: 1/4" BSP

Options: 1/4" NPT

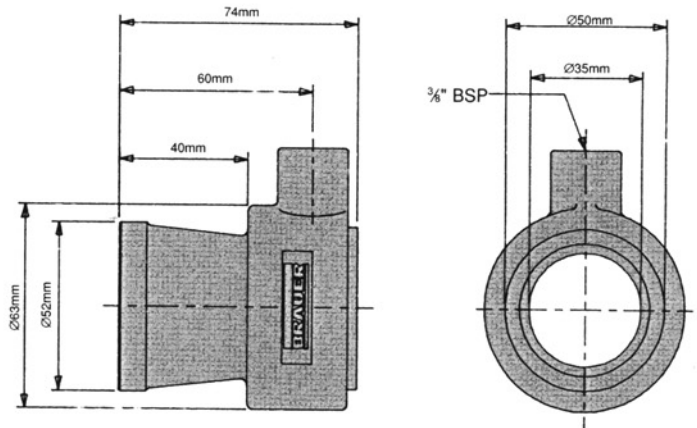
Please specify on order 1/4" NPTF



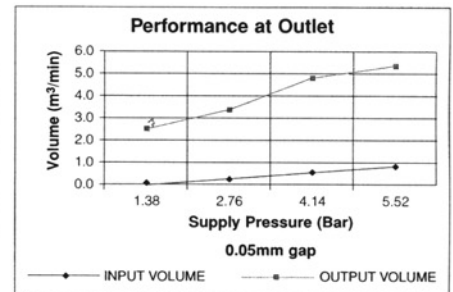
Bar	Vol in m³/min	Vol out m³/min
1.38	0.105	1.614
2.76	0.164	2.492
4.14	0.224	3.030
5.52	0.286	3.681

A
I
R

M
O
V
E
R
S

BRAUER**MODEL - AM35 FIXED GAP AIRMOVER**A
I
R**Material:** Zinc alloy and aluminium.**Weight:** 0.19Kg**Standard Gap:** 0.05mm**DBA at:** 5.5 bar is 80**Shims:** Not required**Standard Inlet Thread:** 3/8" BSP**Options:** 3/8" NPT*Please specify on order* 3/8" NPTF

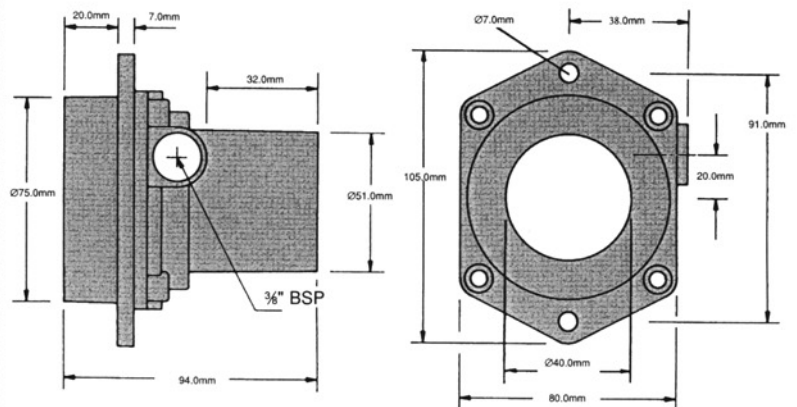
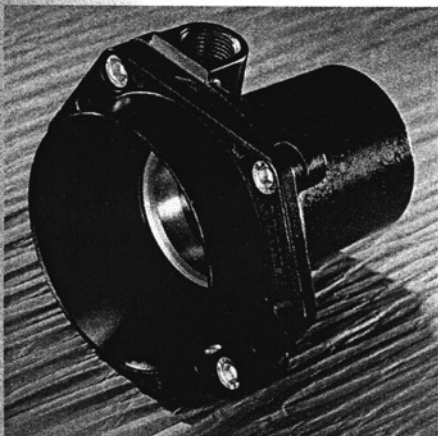
Bar	Vol in m ³ /min	Vol out m ³ /min
1.38	0.193	2.350
2.76	0.326	3.361
4.14	0.484	4.621
5.52	0.631	5.207



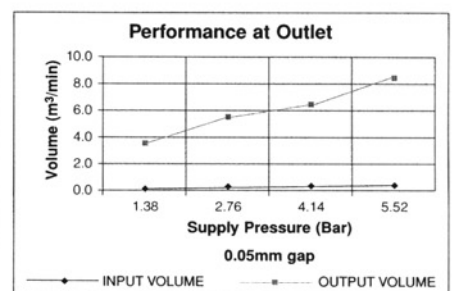
M

MODEL - AM40 FIXED GAP AIRMOVER

O

**Material:** Zinc alloy.**Weight:** 0.900 Kg**Standard Gap:** 0.05mm**DBA at:** 5.5 bar is 80**Shims:** 0.04, 0.05, 0.08mm*Optional extra***Standard Inlet Thread:** 3/8" BSP**Options:** 3/8" NPT*Please specify on order* 3/8" NPTF

Bar	Vol in m ³ /min	Vol out m ³ /min
1.38	0.207	3.256
2.76	0.323	5.182
4.14	0.439	6.513
5.52	0.555	8.297



V

E

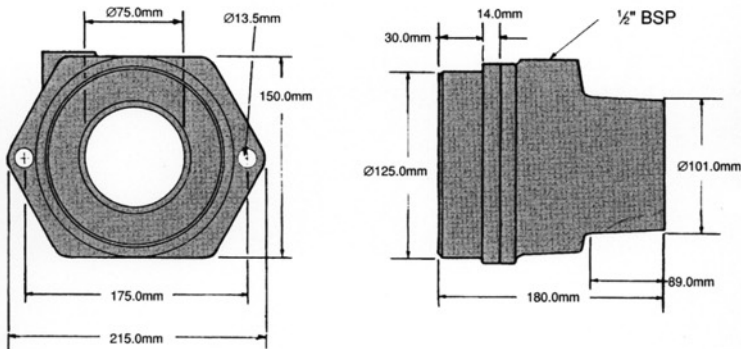
R

S

FIXED GAP AIRMOVER MODEL - AM75

BRAUER

A
I
R
M
O
V
E
R
S



Material: Zinc alloy.

Weight: 2.7Kg

Standard Gap: 0.05mm

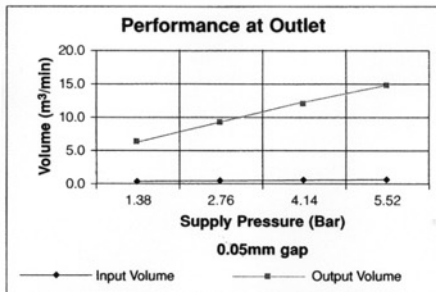
DBA at: 5.5 bar is 80

Shims: Not required

Standard Inlet Thread: 1/2" BSP

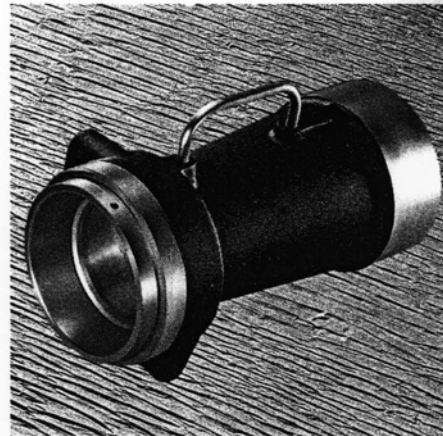
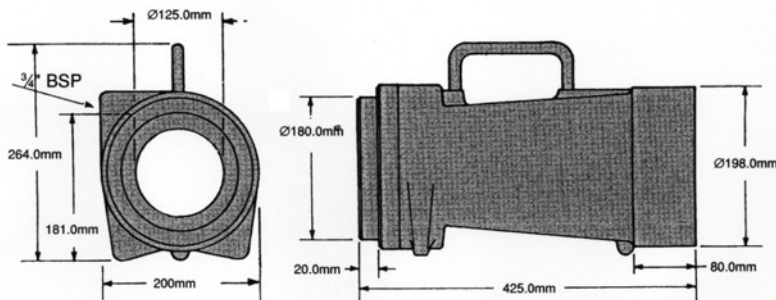
Options: 1/2" NPT

Please specify on order 1/2" NPTF



Bar	Vol in m ³ /min	Vol out m ³ /min
1.38	0.425	6.230
2.76	0.651	9.203
4.14	0.906	12.035
5.52	1.133	14.866

FIXED GAP AIRMOVER MODEL - AM125



Material: Aluminium alloy.

Weight: 7.55Kg

Standard Gap: 0.15mm

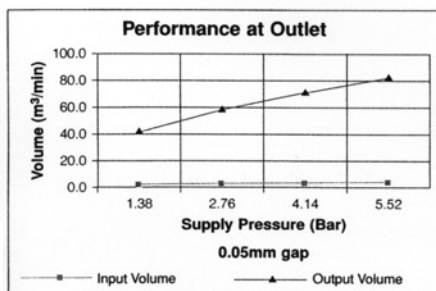
DBA at: 5.5 bar is 85

Shims: Not required

Standard Inlet Thread: 3/4" BSP

Options: 3/4" NPT

Please specify on order 3/4" NPTF



Bar	Vol in m ³ /min	Vol out m ³ /min
1.38	1.982	38.936
2.76	3.115	53.660
4.14	4.276	68.668
5.52	5.324	80.137